



Southwestern Industries, Inc

Retrofit Kit

Machine Checkout

ATTN: SWI
Sales

Use when requested by your SWI representative for machines that do not already have a ProtoTRAK kit.

This worksheet will give us the information we need to get you the right kit. Please print and work through the worksheet carefully and give us accurate information. You don't want the wrong kit. Trust us on that.

When you have finished the worksheet, fax it to Southwestern Industries at 310-764-2668. We will evaluate the information and contact you within a few days.

Section 1 – Tell Us About You and Your Shop

Your Name:	Your Phone:
Company Name:	Alternate Phone:
Your E-Mail:	Your Fax No.:
Alternate Contact:	Alt. Contact Phone:

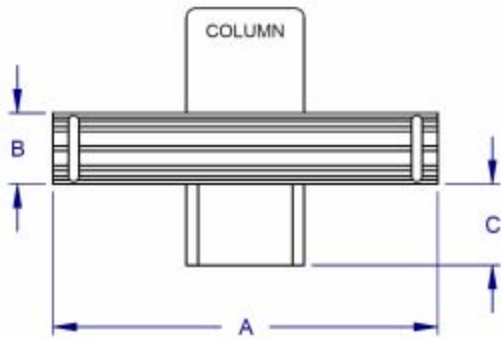
Address	
Company Name (if any)	
Attn/Reference:	
Address Line 1:	
Address Line 2:	
City, State, Zip	

Section 2 – Exact Model and Serial Number of the machine you want to retrofit

Model:	
Serial Number:	

Section 3 – Table and Saddle Travels

X AND Y BALLSCREW



A	TABLE LENGTH	
B	TABLE WIDTH	
C	Y-AXIS TRAVEL	

TO CHECK Y-AXIS TRAVEL PLEASE DO THE FOLLOWING:

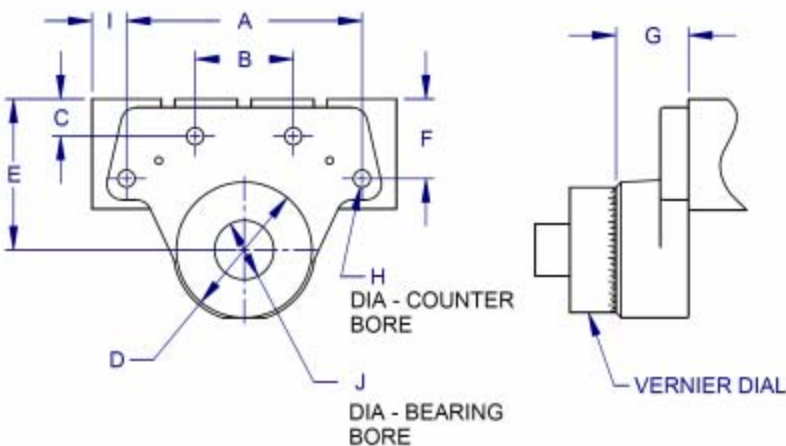
1 - IF YOU HAVE A DIGITAL READ OUT ON THE MACHINE, MEASURE THE FULL Y-AXIS TRAVEL.

2 - FOR MANUAL MACHINES, PLEASE MOVE THE SADDLE AS FAR AS YOU CAN TO THE REAR OF THE MACHINE BEFORE MEASURING DIMENSION C. IF THE SADDLE CAN MOVE PAST THE FRONT OF THE MACHINE THEN MEASURE FROM THIS LOCATION TO THE REAR.

i01296

Section 4 – X-Axis Drive Train

X-DRIVE BEARING HOUSING

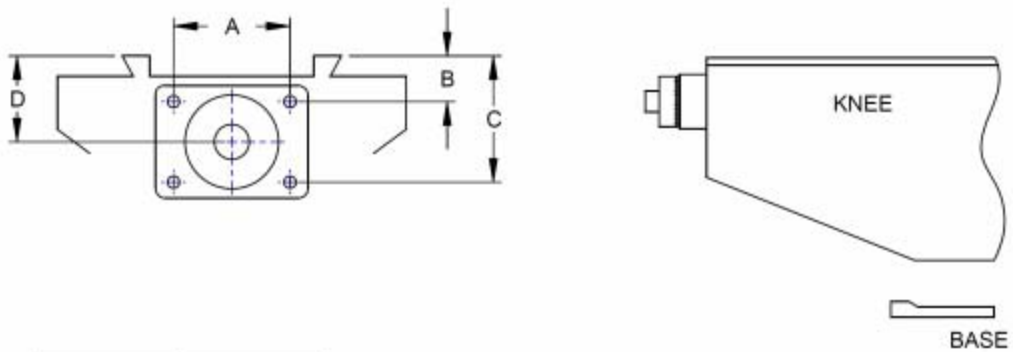


A	
B	
C	
D	
E	
F	
G	
H	
I	
J	
BOLT THREAD SIZE	

i01297

Section 5 – Y-Axis Drive Train

Y DRIVE BEARING HOUSING

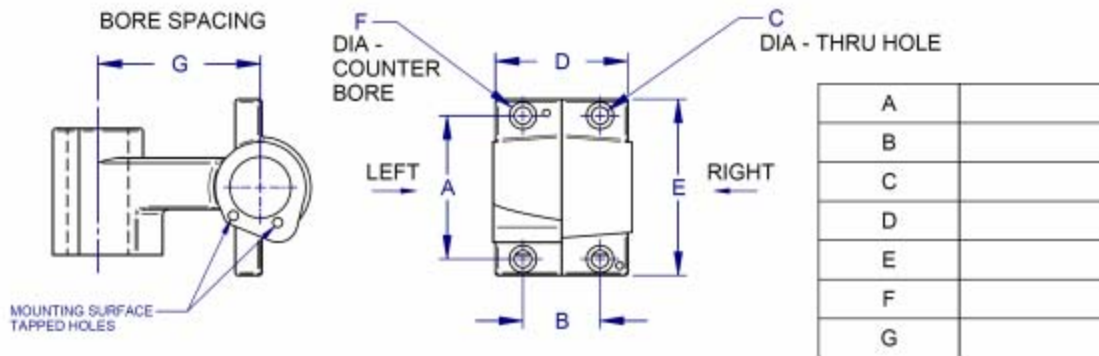


A	
B	
C	
D	
BOLT THREAD SIZE	

I01298

Section 6 – Ballscrew Nut Retainer (Yoke)

YOKE FOR BALLSCREWS



A	
B	
C	
D	
E	
F	
G	

ARE THE MOUNTING SURFACE TAPPED HOLES FOR THE X LEADSCREW OR BALLSCREW ON THE LEFT OR RIGHT SIDE OF THE YOKE?
(FOR THE EXAMPLE ABOVE, THEY ARE ON THE LEFT.)

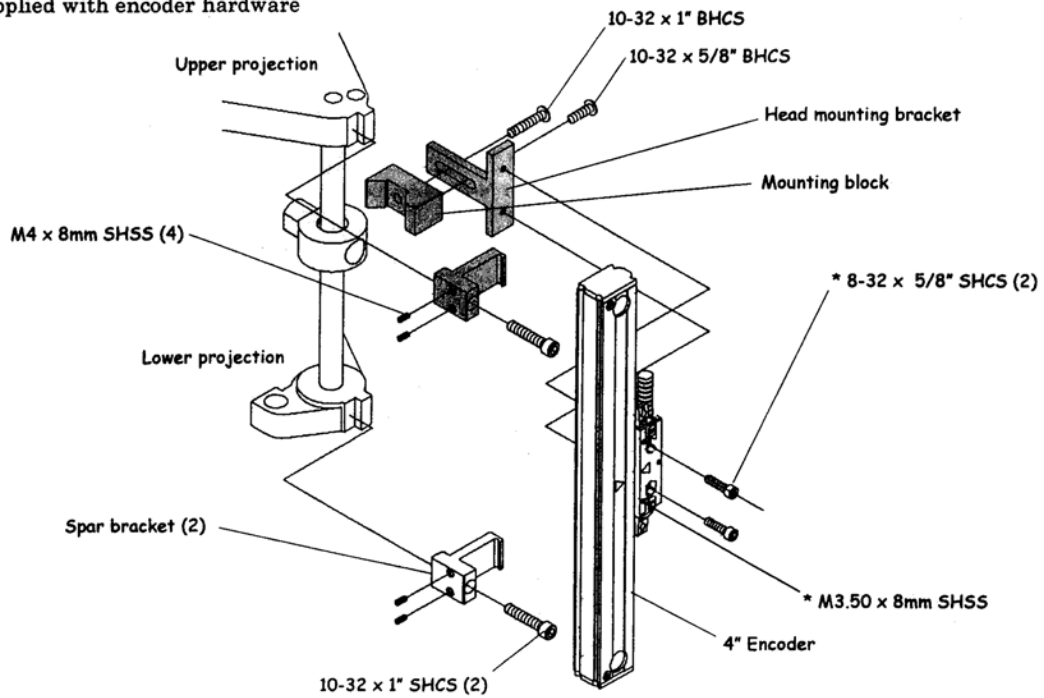
I01299

Section 7 – Quill Glass Scale

Study the following six drawings. Circle the one you think matches the quill on your machine the best.

Quill Installation ...

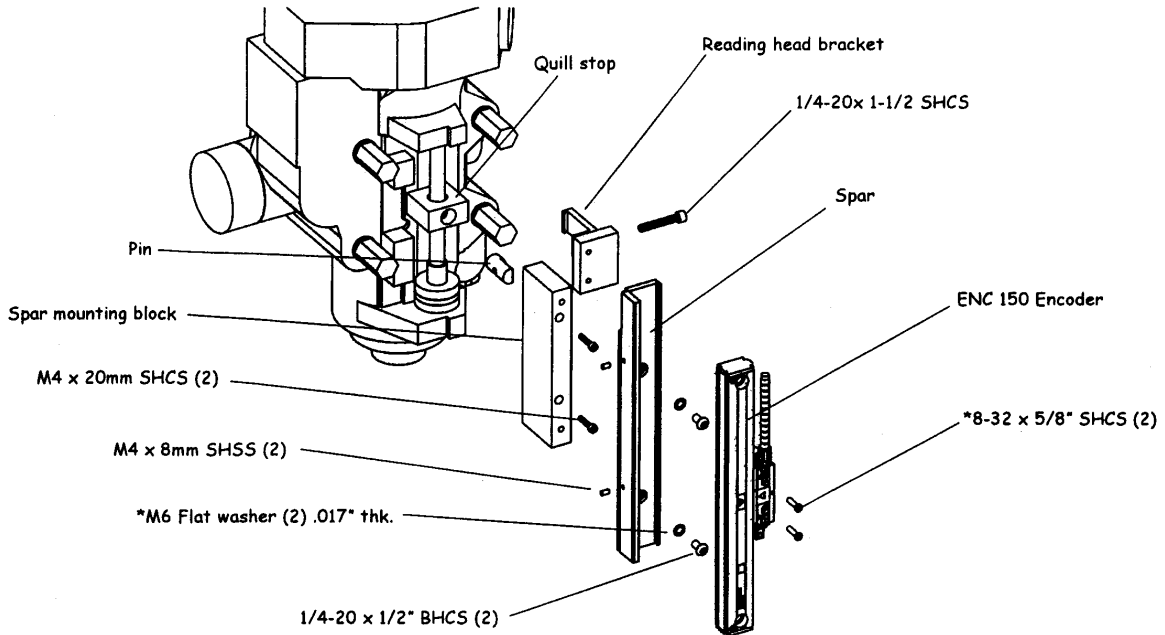
* Supplied with encoder hardware



i22808-1

Quill Installation ...

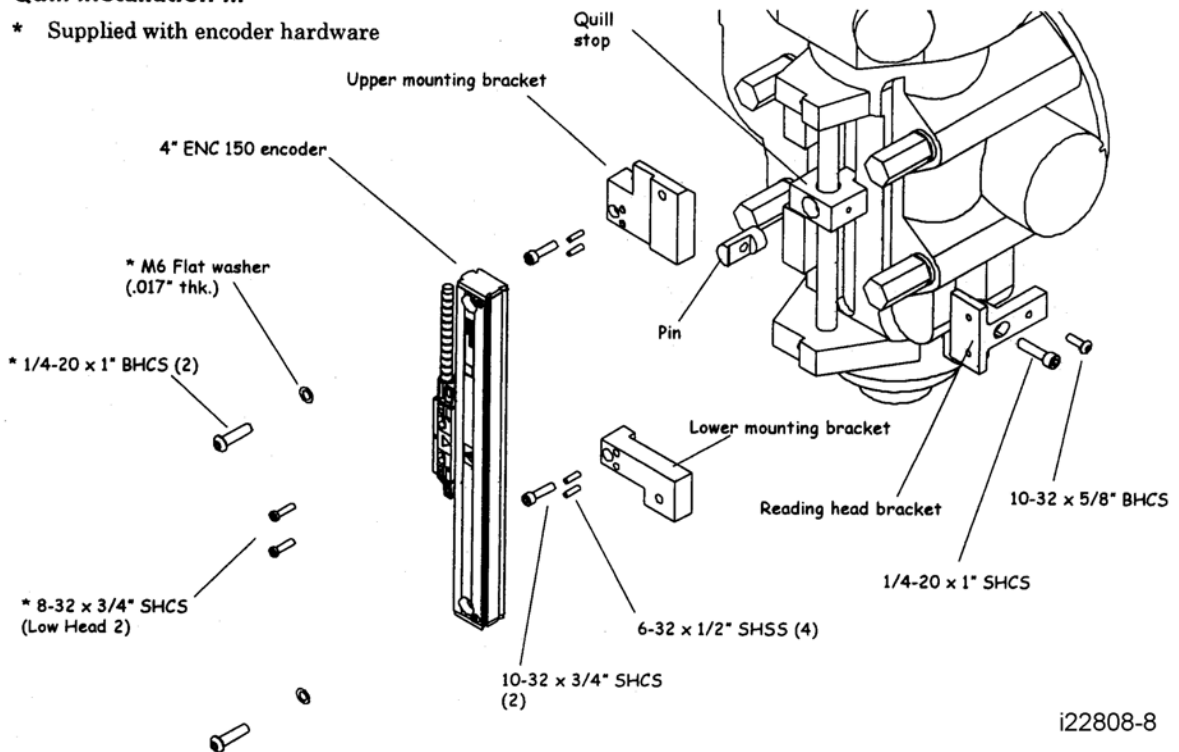
* Supplied with encoder hardware



i22808-5

Quill Installation ...

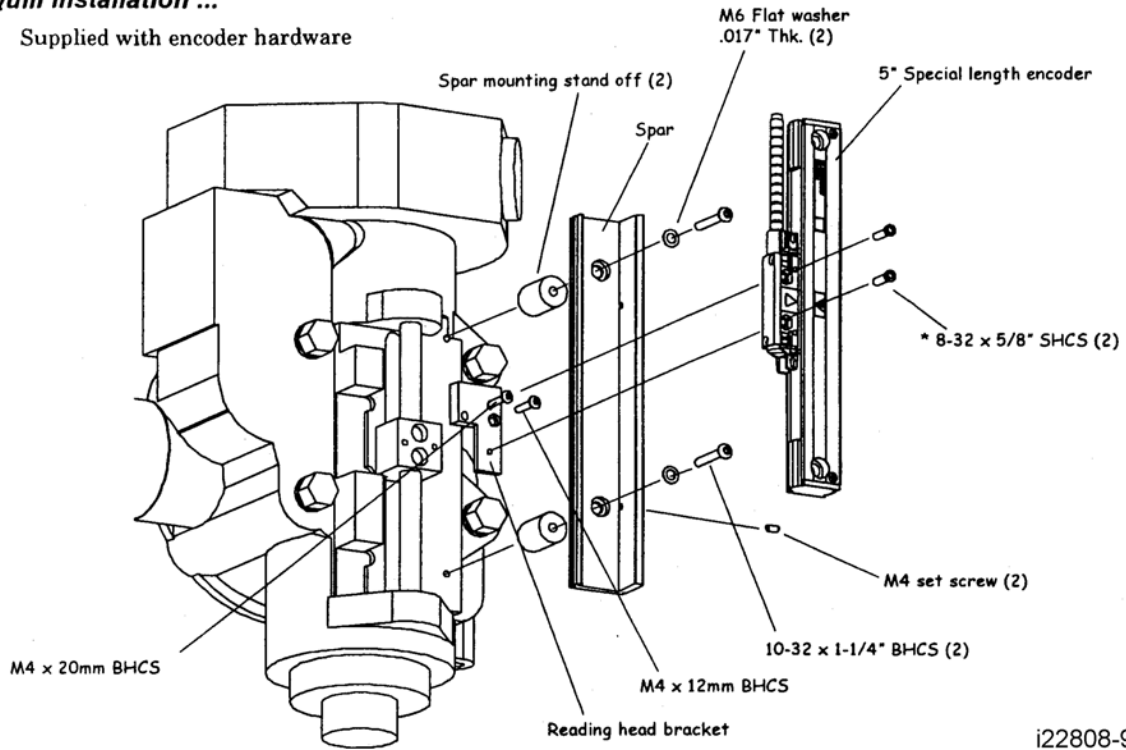
* Supplied with encoder hardware



i22808-8

Quill Installation ...

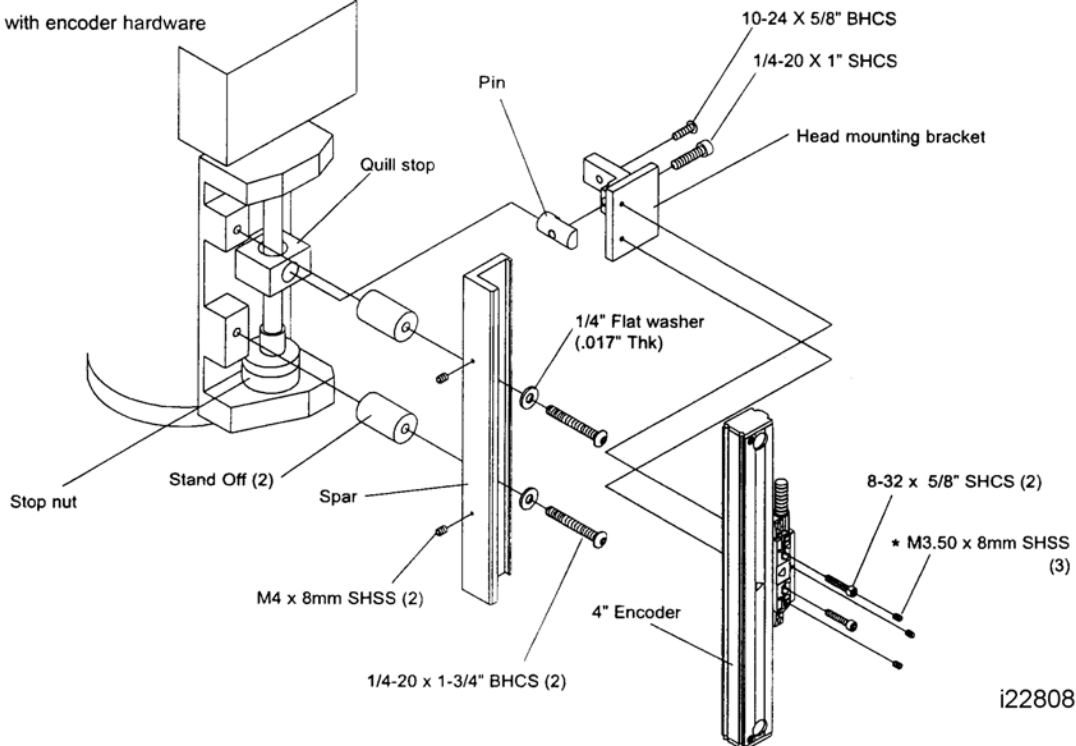
* Supplied with encoder hardware



i22808-9

Quill Installation ...

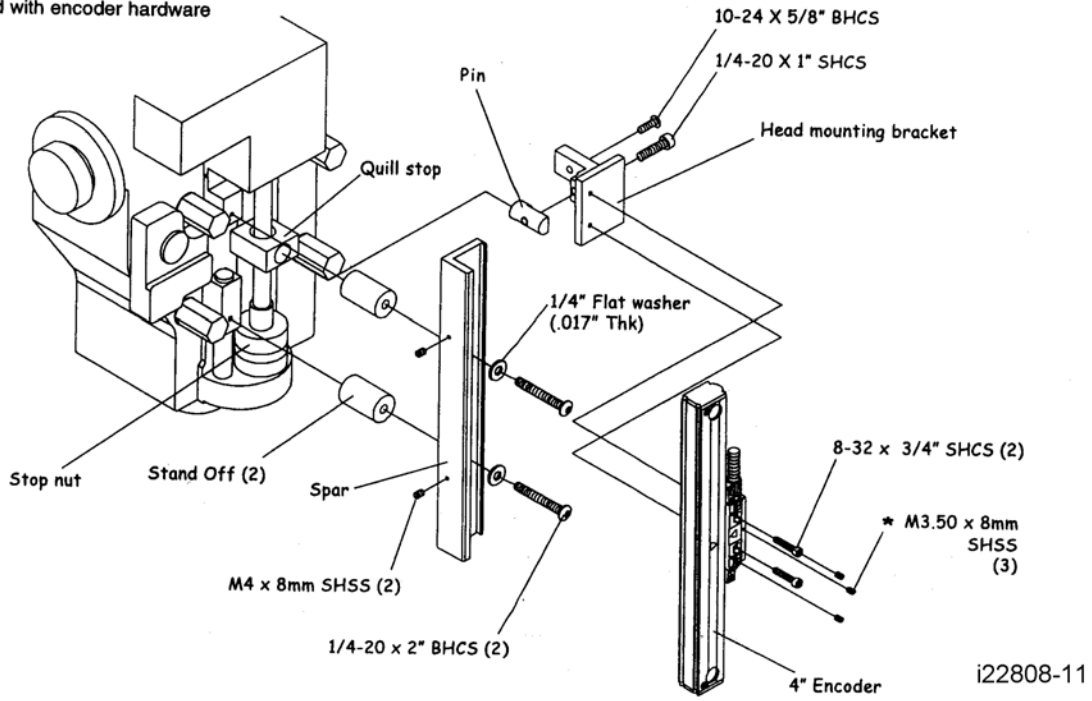
* Supplied with encoder hardware



i22808-10

Quill Installation ...

* Supplied with encoder hardware



Notes/Comments: