

Southwestern Industries, Inc.
Site Preparation Guide
TRL 1840SX

Before an Authorized Field Service Technician can perform the machine's final checkout, the following requirements must be met:

- The machine must be in position and placed on its rest pads
- To offload the machine, a 7500 lb. forklift with 6' extension is required.
- The machine must be leveled (refer to installation and service manual).
- The machine must be wired (refer to the installation and service manual).
- The machine must be cleaned. Remove all grease from the way surfaces.

Space & Weight

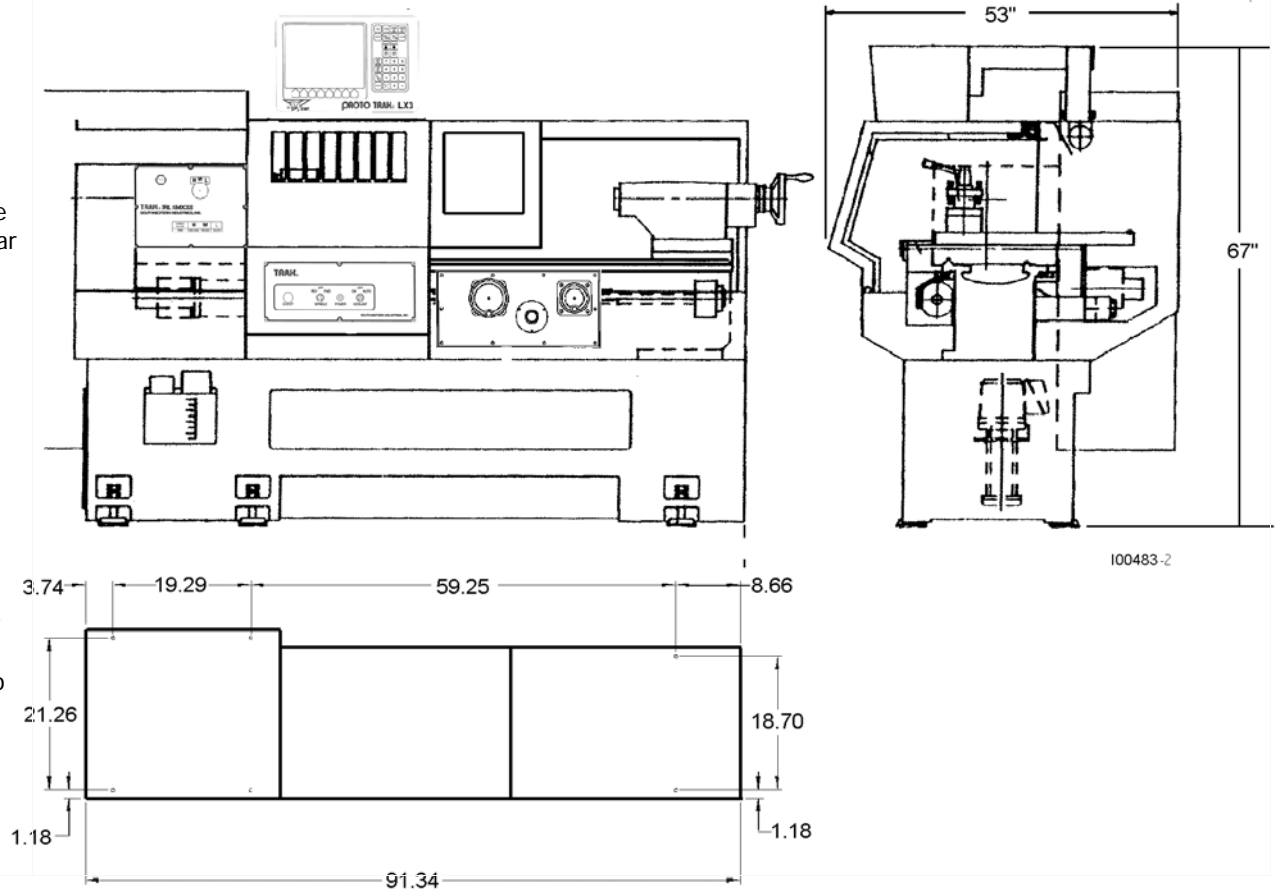
- Floor area = 92" x 53"
- Height = 67"
- Net (approx) Weight = 4500 lbs.
- Shipping (approx) Weight = 5170 lbs.
- The floor area includes the space required for the sliding door to move fully to the right of the machine (12" past the tailstock). A 36" clearance from the rear of the machine to the wall is required for repairs in the electrical enclosure.
- A solid and level foundation to maintain approximately 4500 lbs. plus the weight of the work piece is required. Six leveling screws are provided.
- For best results, it may be necessary to lag bolt the machine in order to remove any small amount of twist.

Electrical

- A separate 220 VAC, 35 Amp, 60 Hz, 3 phase circuit is required to maintain proper operation.
- A separate 110 VAC, 8 amps minimum, 60 Hz circuit is required to maintain proper operation.
- For shops with 440 VAC, a step-down transformer to 220 VAC must be used. The transformer must be sized to carry a load of 35 amps minimum.
- Machine tool must be earth grounded.

Air

- Not required



Southwestern Industries, Inc.
 2615 Homestead Place
 Rancho Dominguez, CA 90220-5610 USA
 T | 310.608.4422 | F | 310.764.2668