

Southwestern Industries, Inc.

Site Preparation Guide

TRAK K4 with SMX Control

Before an Authorized Field Service Technician can perform the machine's final checkout, the following requirements must be met:

- The machine must be in position and placed on its rest pads
- To offload machine, a 10000 lb. forklift with 6' extensions is required.
- The machine must be leveled (refer to installation and service manual).
- The machine must be wired (refer to the installation and service manual).
- The machine must have air hooked up if power drawbar is installed (see the installation and service manual).
- The machine must be cleaned. Remove all grease from the way surfaces.

Space & Weight

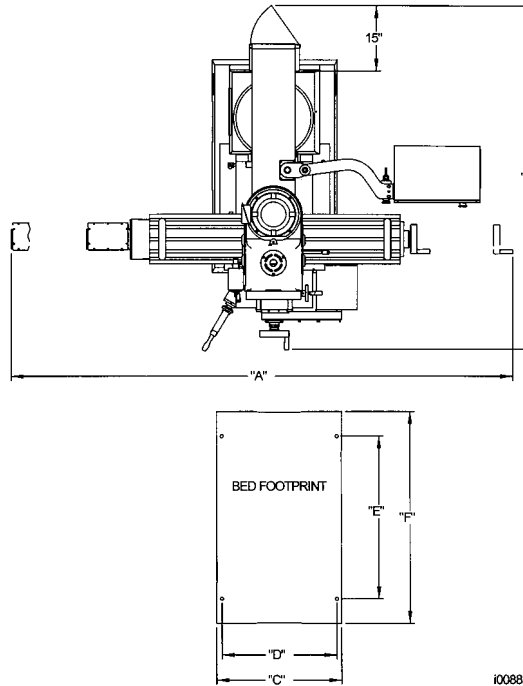
- Floor area = 103" x 72.5"
- Height = 92"
- Footprint = 24" x 42.5"
- Net (approx) Weight = 3600 lbs.
- Shipping (approx) Weight = 3900 lbs.
- Pallet Size = 6' x 6'
- Allow clearance at the rear of the mill to open and work on the electrical box.
- A solid and level foundation to maintain approximately 3600 lbs. plus the weight of the work piece (maximum total 4500 lbs) is required. Four leveling screws are provided.

Electrical

- Non Spindle Control: A separate 220/440 VAC, 14/7 Amps minimum, 60 Hz, 3 Phase circuit is required to maintain proper operation
- A separate 110 VAC, 8 Amps minimum, 60 Hz circuit is required to maintain proper operation.
- **Machine with Spindle Control Option is only available in the 220 VAC configuration.** A separate 220V, 17.5 amp minimum, 60 Hz, 3 phase circuit is required. For shops with 440 VAC, a step-down transformer to 220 VAC must be used. The transformer must be sized to carry a load of 17.5 amps minimum.
- Machine tool must be earth grounded.

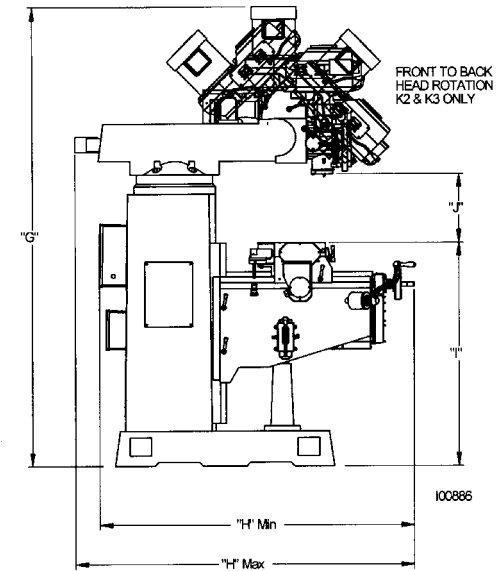
Air (for optional Power Draw Bar)

- ¼" NPT connection
- Air pressure not to exceed 100 psi



TRAK K4 Machine Footprints

A	Overall width	103"
B	Overall length	72.5"
C	Bed width	24"
D	Bed width between leveling screws	22.8"
E	Distance between leveling screws	33.1"
F	Bed length	42.5"



TRAK K4 Overall Dimensions

G	Height of machine from bottom of base to top of spindle motor	92"
H min	Minimum length of machine	64"
H max	Maximum length of machine	78"
I min	Minimum height of table from bottom of base	36"
I max	Maximum height of table from bottom of base	54.5"
J max	Maximum distance from spindle nose to table	23"



Southwestern Industries, Inc.

2615 Homestead Place

Rancho Dominguez, CA 90220-5610 USA

T | 310.608.4422 | F | 310.764.2668

F16467-24