

Southwestern Industries, Inc.

Site Preparation Guide

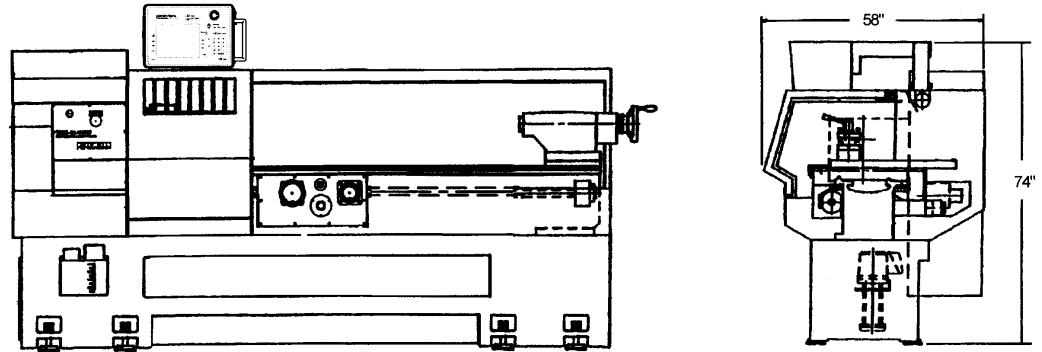
TRL 2460SX

Before an Authorized Field Service Technician can perform the machine's final checkout, the following requirements must be met:

- The machine must be in position and placed on its rest pads
- To offload the machine, a 15000 lb. forklift with 8' extension is required.
- The machine must be leveled (refer to installation and service manual).
- The machine must be wired (refer to the installation and service manual).
- The machine must be cleaned. Remove all grease from the way surfaces.

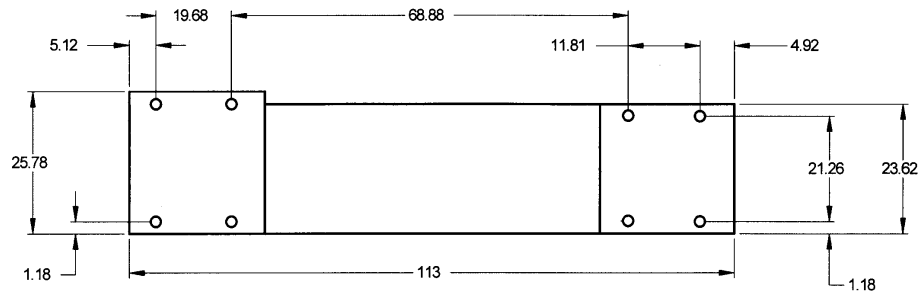
Space & Weight

- Floor area = 113" x 58"
- Height = 74"
- Net (approx) Weight = 5700 lbs.
- Shipping (approx) Weight = 6200 lbs.
- A 36" clearance from the rear of the machine to the wall is required for repairs in the electrical enclosure.
- A solid and level foundation to maintain approximately 6200 lbs. plus the weight of the work piece is required. Eight leveling screws are provided.
- For best results, it may be necessary to lag bolt the machine in order to remove any small amount of twist.



Electrical

- A separate 220 VAC, 45 Amp, 60 Hz, 3 phase circuit is required to maintain proper operation.
- For shops with 440 VAC, a step-down transformer to 220 VAC must be used. The transformer must be sized to carry a load of 45 amps minimum.
- A separate 110VAC, 15 amp min, 60hz circuit is required to maintain proper operation.
- Machine tool must be earth grounded.



i00483-4

Air

- Not required



Southwestern Industries, Inc.

2615 Homestead Place

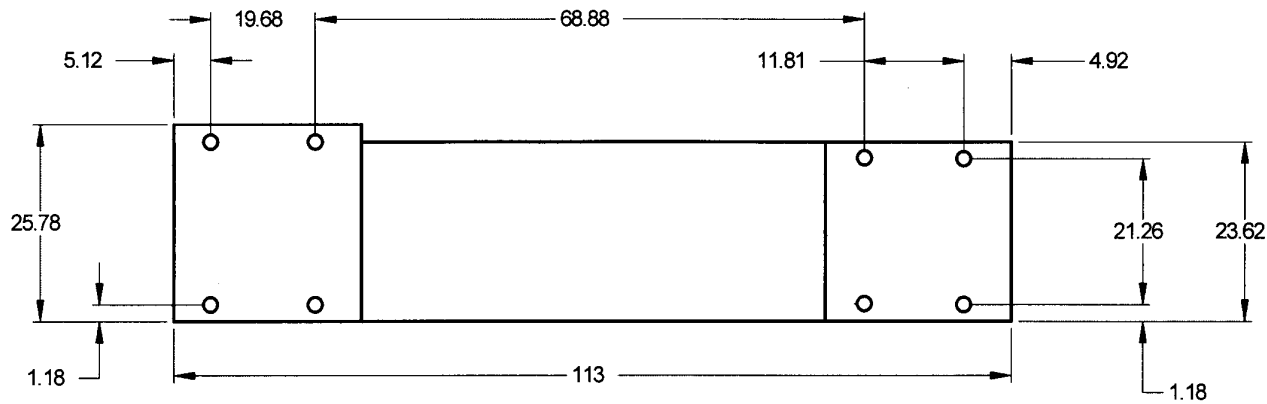
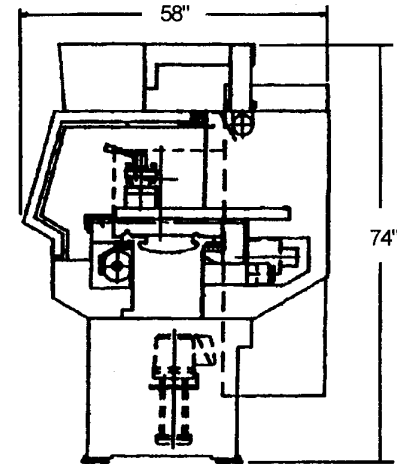
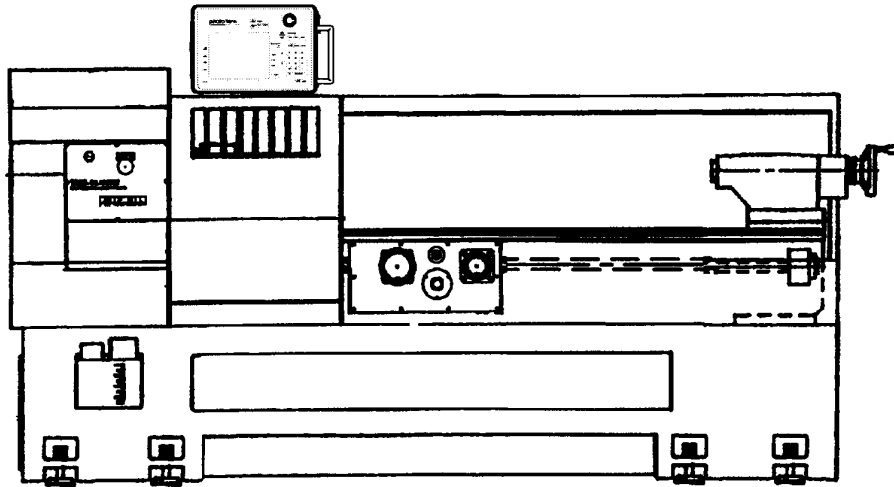
Rancho Dominguez, CA 90220-5610 USA

T | 310.608.4422 | F | 310.764.2668

F16467-26 rev 060211

Site Preparation Guide

TRL 2460SX



i00483-4



Southwestern Industries, Inc.

2615 Homestead Place

Rancho Dominguez, CA 90220-5610 USA

T | 310.608.4422 | F | 310.764.2668

F16467-26 rev 031616

Site Preparation Guide

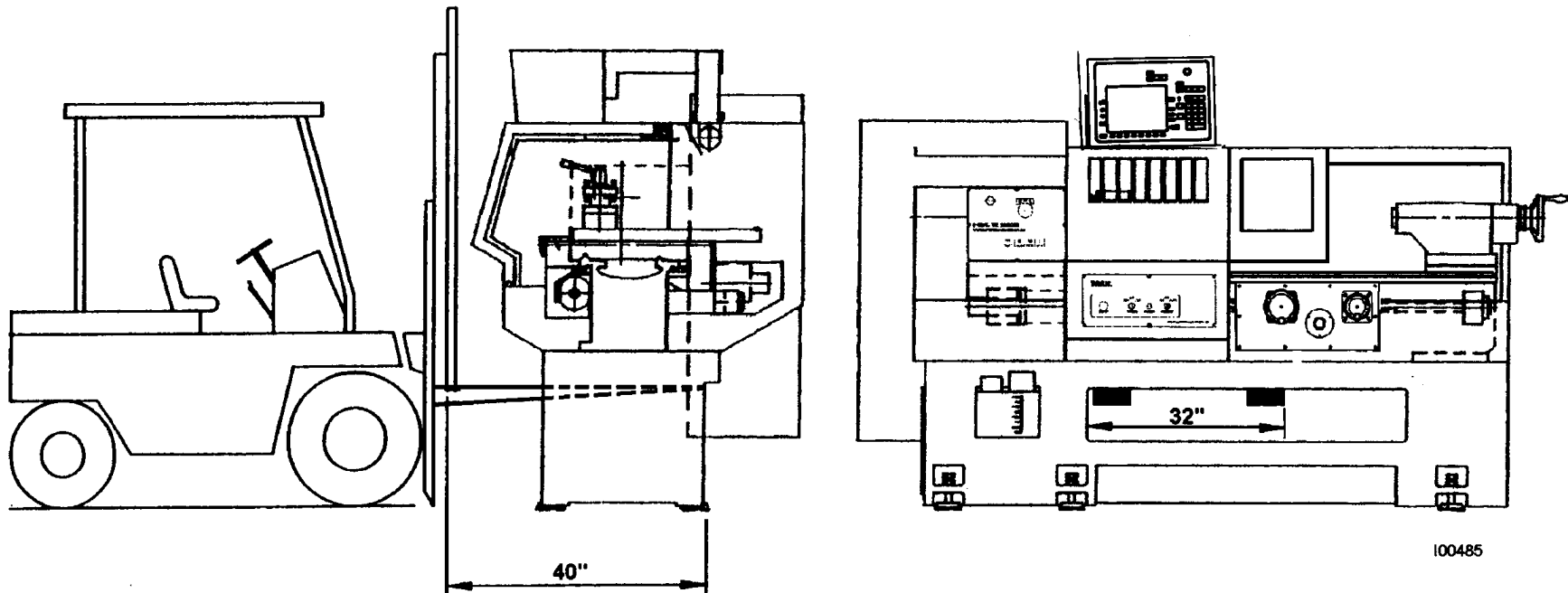
TRL 2460SX

Lifting and/or Moving the Machine

CAUTION!

Proper equipment of sufficient capacity must be used when lifting and/or moving the machine.

To lift the machine, remove the chip pan. Place the forks of the forklift at least 32" apart as shown in the figure below. Be certain to lift the lathe toward the headstock. Use 2 blocks of wood (~6" high x 18" long) on forklift forks during lifting and make sure they contact the bed casting. This will avoid damaging the machine's sheet metal.



Southwestern Industries, Inc.

2615 Homestead Place

Rancho Dominguez, CA 90220-5610 USA

T | 310.608.4422 | F | 310.764.2668

F16467-26 rev 031616