

Southwestern Industries, Inc.

Site Preparation Guide

TRAK K2 with EMX Control

Before an Authorized Field Service Technician can perform the machine's final checkout, the following requirements must be met:

- The machine must be in position and placed on its rest pads
- To offload machine, a 6000 lb forklift with 6" extension is required.
- The machine must be leveled (refer to installation and service manual).
- The machine must be wired (refer to the installation and service manual).
- The machine must have air hooked up if power drawbar is installed (see the installation and service manual).
- The machine must be cleaned. Remove all grease from the way surfaces.

Space & Weight

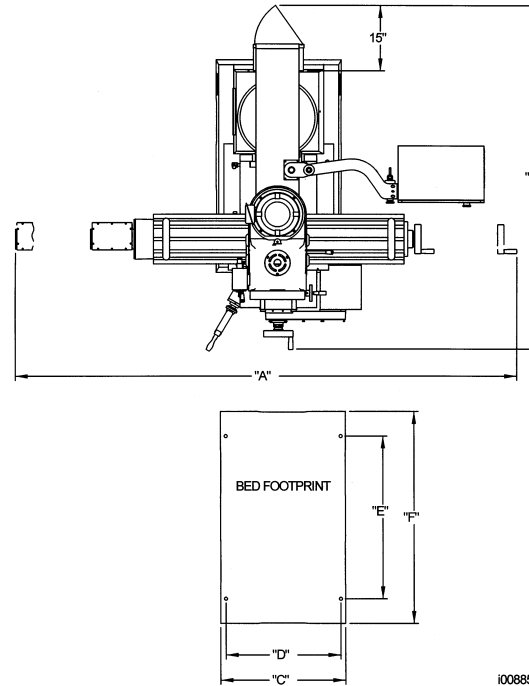
- Floor area = 101" x 66"
- Height = 86"
- Footprint = 24.2" x 37.4"
- Net (approx) Weight = 2200 lbs.
- Shipping (approx) Weight = 2500
- Pallet Size = 6' x 6'
- Allow clearance at the rear of the mill to open and work on the electrical box.
- A solid and level foundation to maintain approximately 2200 lbs. plus the weight of the work piece (maximum total 3000 lbs) is required. Four leveling screws are provided.

Electrical

- A separate 220/440 VAC, 8.5/4.3 Amps minimum, 60 Hz, 3 Phase circuit is required to maintain proper operation
- A separate 110 VAC, 10 Amps minimum, 60 Hz circuit is required to maintain proper operation.
- Machine tool must be earth grounded.

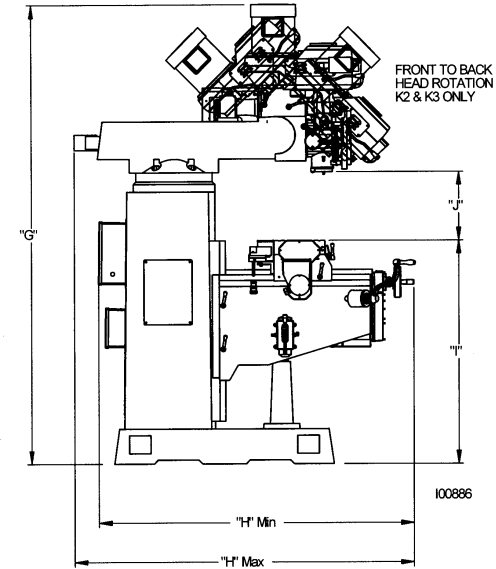
Air (for optional Power Draw Bar)

- ¼" NPT connection
- Air pressure not to exceed 100 psi



TRAK K2 Machine Footprints

A	Overall width	101"
B	Overall length	66"
C	Bed width	24.2"
D	Bed width between leveling screws	21.9"
E	Distance between leveling screws	29.1"
F	Bed length	37.4"



TRAK K2 Overall Dimensions

G	Height of machine from bottom of base to top of spindle motor	86"
H min	Minimum length of machine	56"
H max	Maximum length of machine	67"
I min	Minimum height of table from bottom of base	36"
I max	Maximum height of table from bottom of base	48"
J max	Maximum distance from spindle nose to table	18"



Southwestern Industries, Inc.

2615 Homestead Place
 Rancho Dominguez, CA 90220-5610 USA
 T | 310.608.4422 | F | 310.764.2668

