

# Southwestern Industries, Inc.

## Site Preparation Guide

### TRAK K4 with EMX Control

Before an Authorized Field Service Technician can perform the machine's final checkout, the following requirements must be met:

- The machine must be in position and placed on its rest pads
- To offload machine, a 10000 lb. forklift with 6" extensions is required.
- The machine must be leveled (refer to installation and service manual).
- The machine must be wired (refer to the installation and service manual).
- The machine must have air hooked up if power drawbar is installed (see the installation and service manual).
- The machine must be cleaned. Remove all grease from the way surfaces.

#### Space & Weight

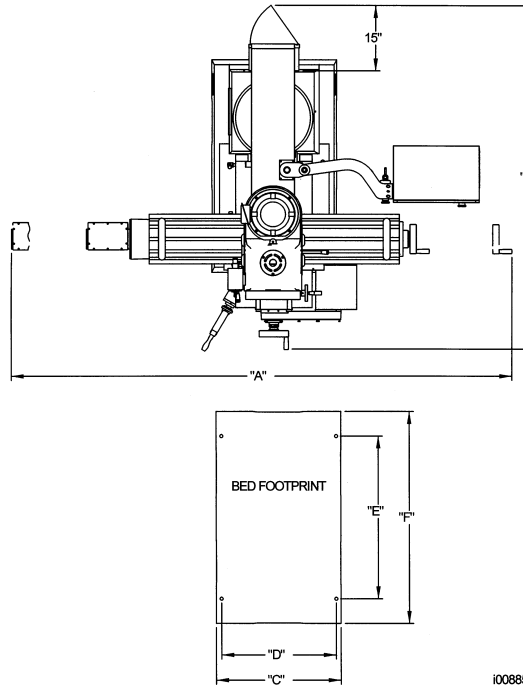
- Floor area = 103" x 72.5"
- Height = 92"
- Footprint = 24" x 42.5"
- Net (approx) Weight = 3600 lbs.
- Shipping (approx) Weight = 3900 lbs.
- Pallet Size = 6' x 6'
- Allow clearance at the rear of the mill to open and work on the electrical box.
- A solid and level foundation to maintain approximately 3600 lbs. plus the weight of the work piece (maximum total 4500 lbs) is required. Four leveling screws are provided.

#### Electrical

- A separate 220/440 VAC, 14/7 Amps minimum, 60 Hz, 3 Phase circuit is required to maintain proper operation
- A separate 110 VAC, 10 Amps minimum, 60 Hz circuit is required to maintain proper operation.
- Machine tool must be earth grounded.

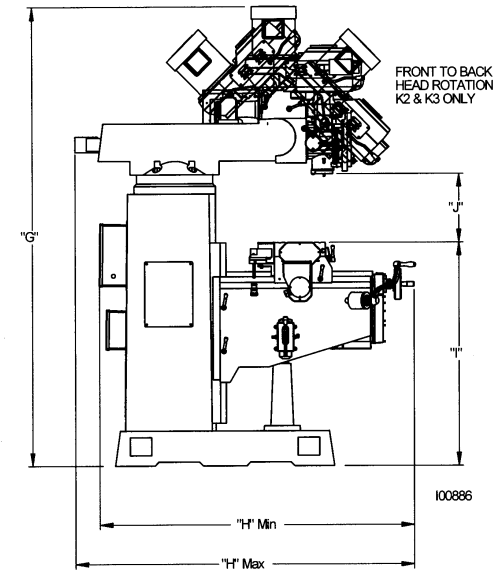
#### Air (for optional Power Draw Bar)

- 1/4" NPT connection
- Air pressure not to exceed 100 psi



TRAK K4 Machine Footprints

A	Overall width	103"
B	Overall length	72.5"
C	Bed width	24"
D	Bed width between leveling screws	22.8"
E	Distance between leveling screws	33.1"
F	Bed length	42.5"



TRAK K4 Overall Dimensions

G	Height of machine from bottom of base to top of spindle motor	92"
H min	Minimum length of machine	64"
H max	Maximum length of machine	78"
I min	Minimum height of table from bottom of base	36"
I max	Maximum height of table from bottom of base	54.5"
J max	Maximum distance from spindle nose to table	23"



Southwestern Industries, Inc.  
 2615 Homestead Place  
 Rancho Dominguez, CA 90220-5610 USA  
 T| 310.608.4422 | F| 310.764.2668

